

COP .357 ASSEMBLY INSTRUCTIONS

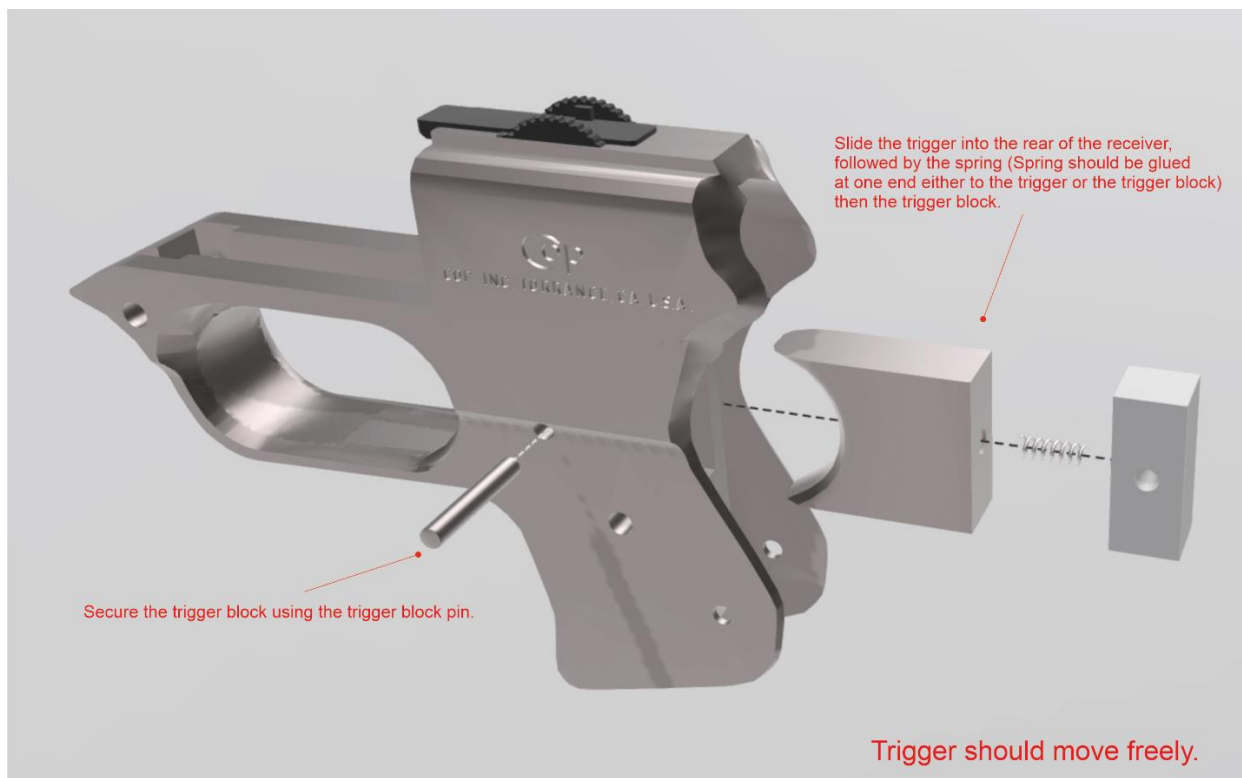
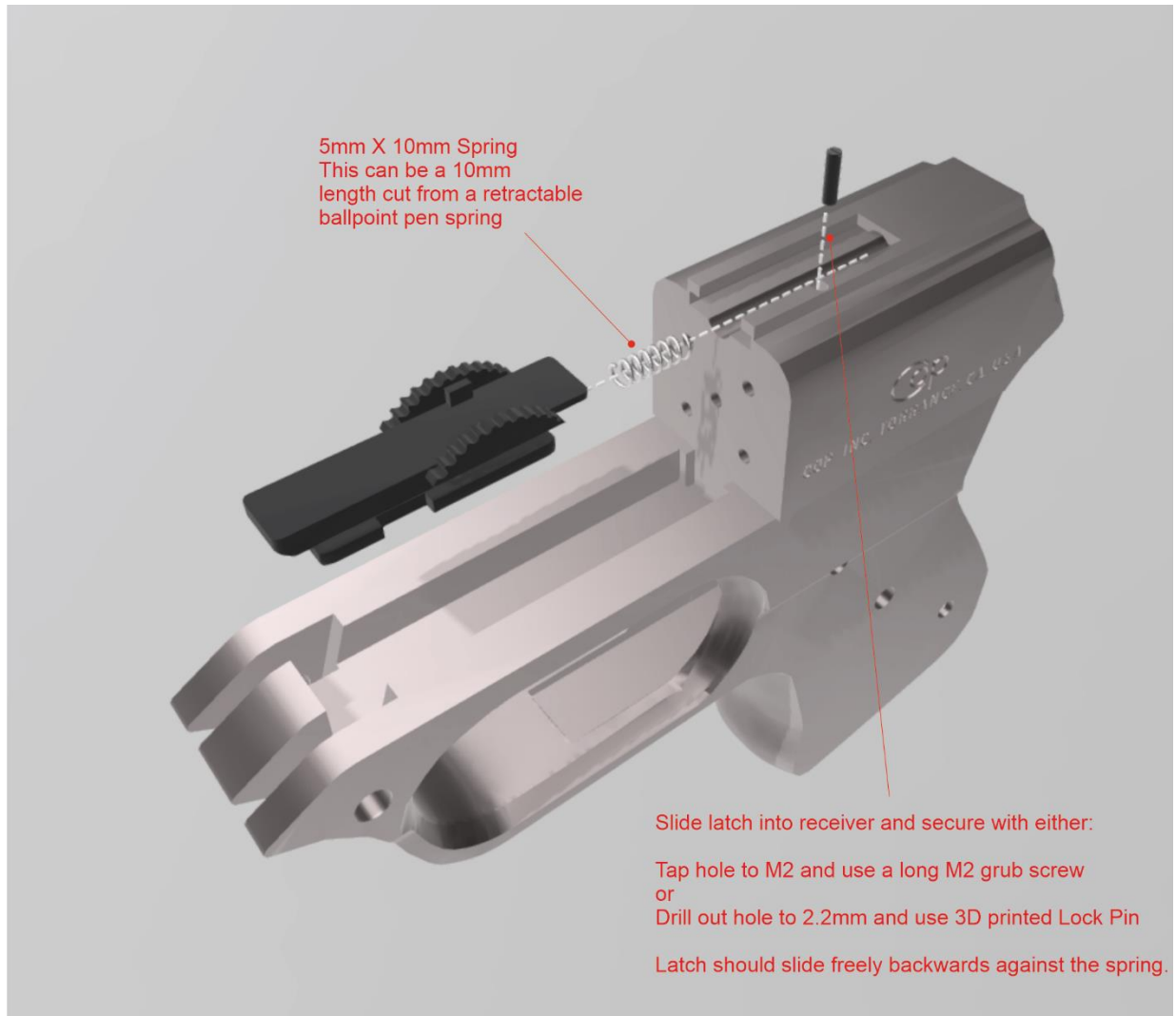
For Duplex Designs 3D printed Cop .357



DUPLEX DESIGNS

● IMAGINE - DESIGN - BUILD ●

Hardware – Assembly









DUPLEX DESIGNS

● IMAGINE - DESIGN - BUILD ●

<https://duplexdesigns.co.uk>

support@duplexdesigns.co.uk

Issued: 19th April 2024

© 2024 Duplex Designs