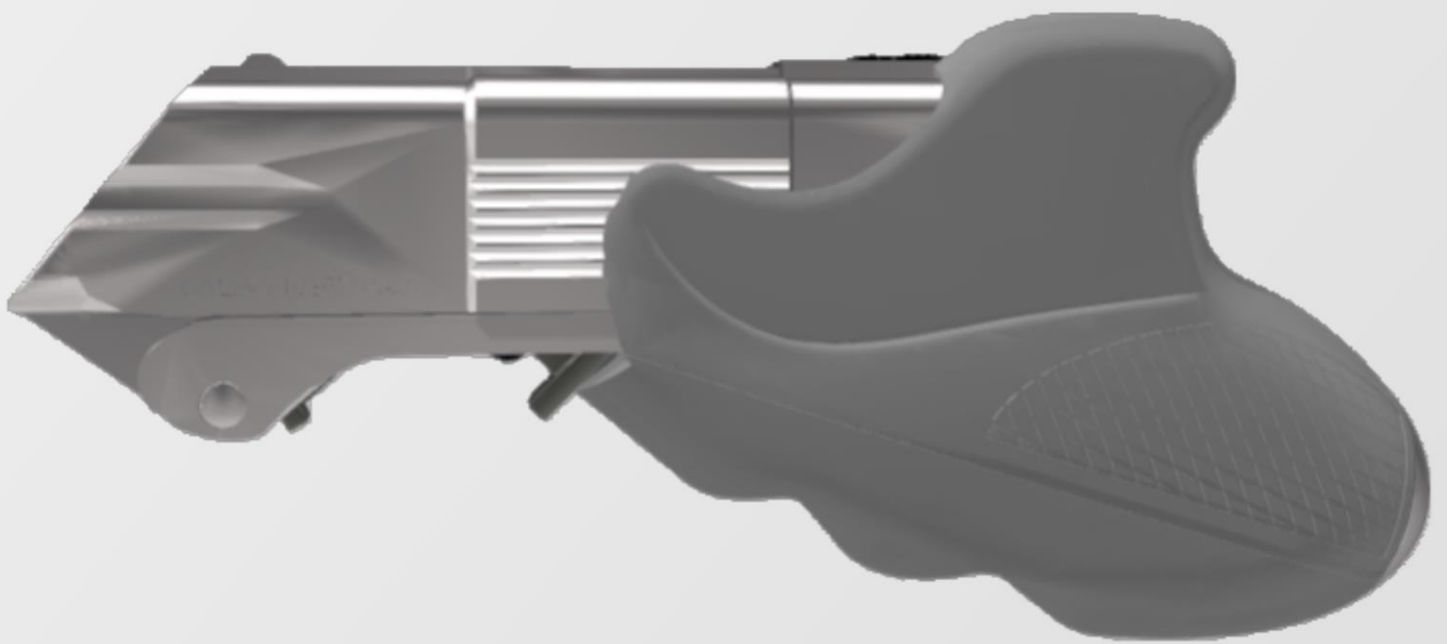


CONCEPT BLASTER ASSEMBLY INSTRUCTIONS

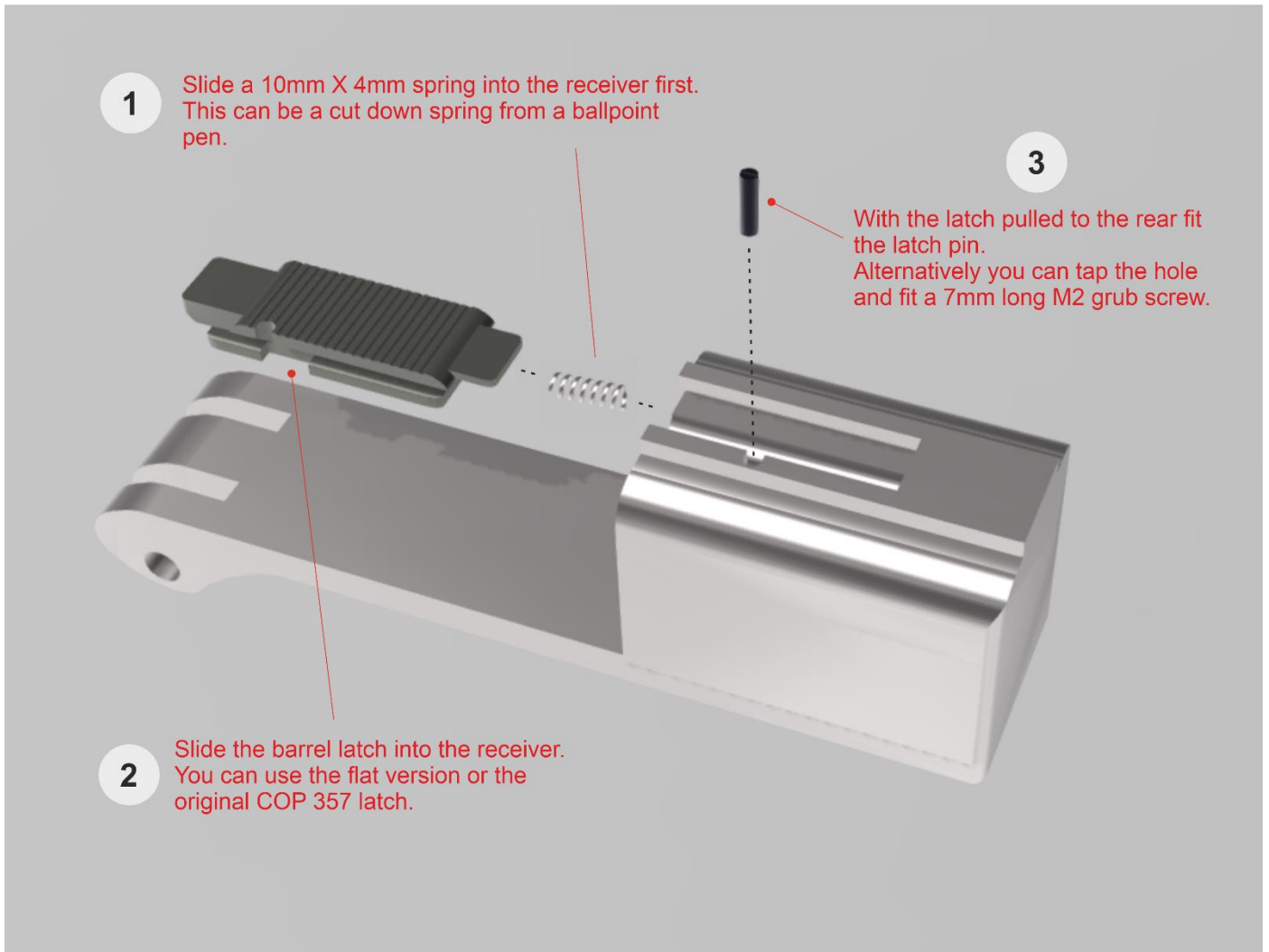
For Duplex Designs 3D printed Blade Runner concept blaster

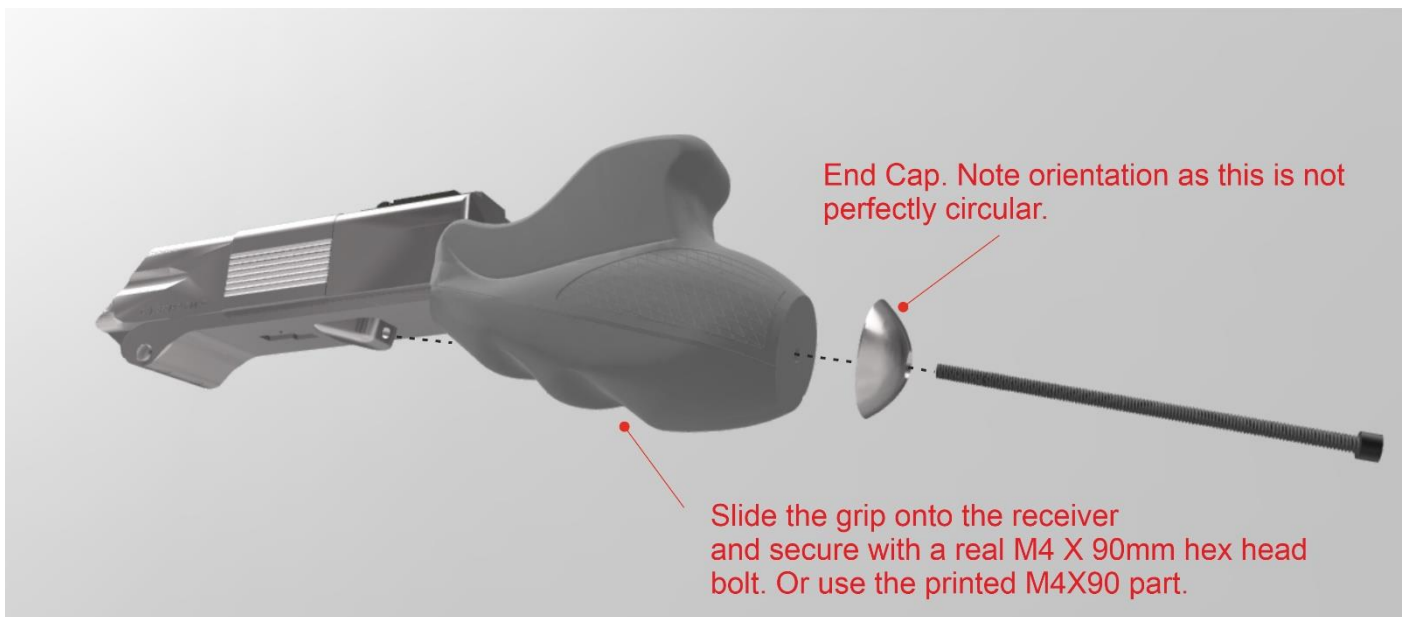
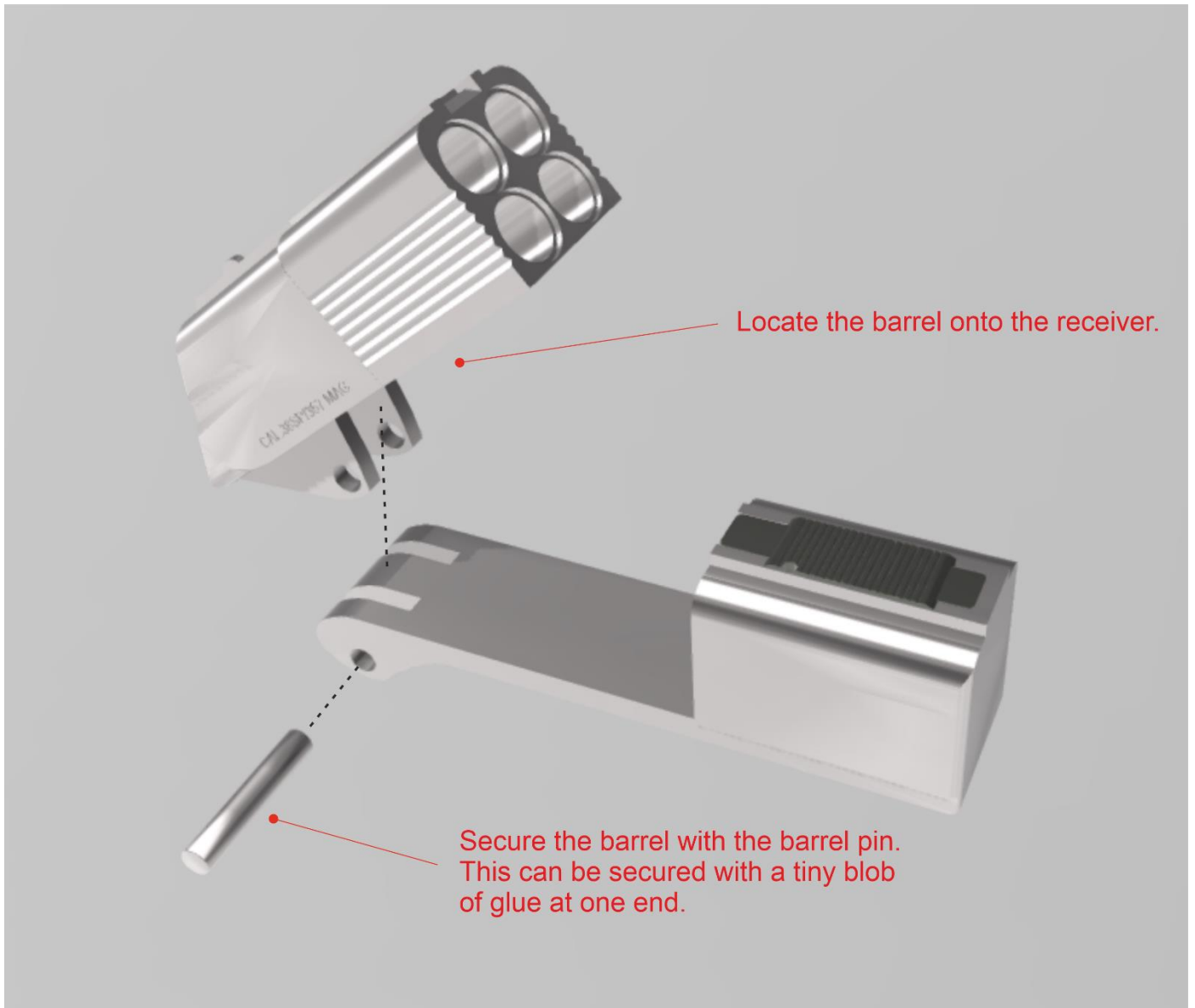


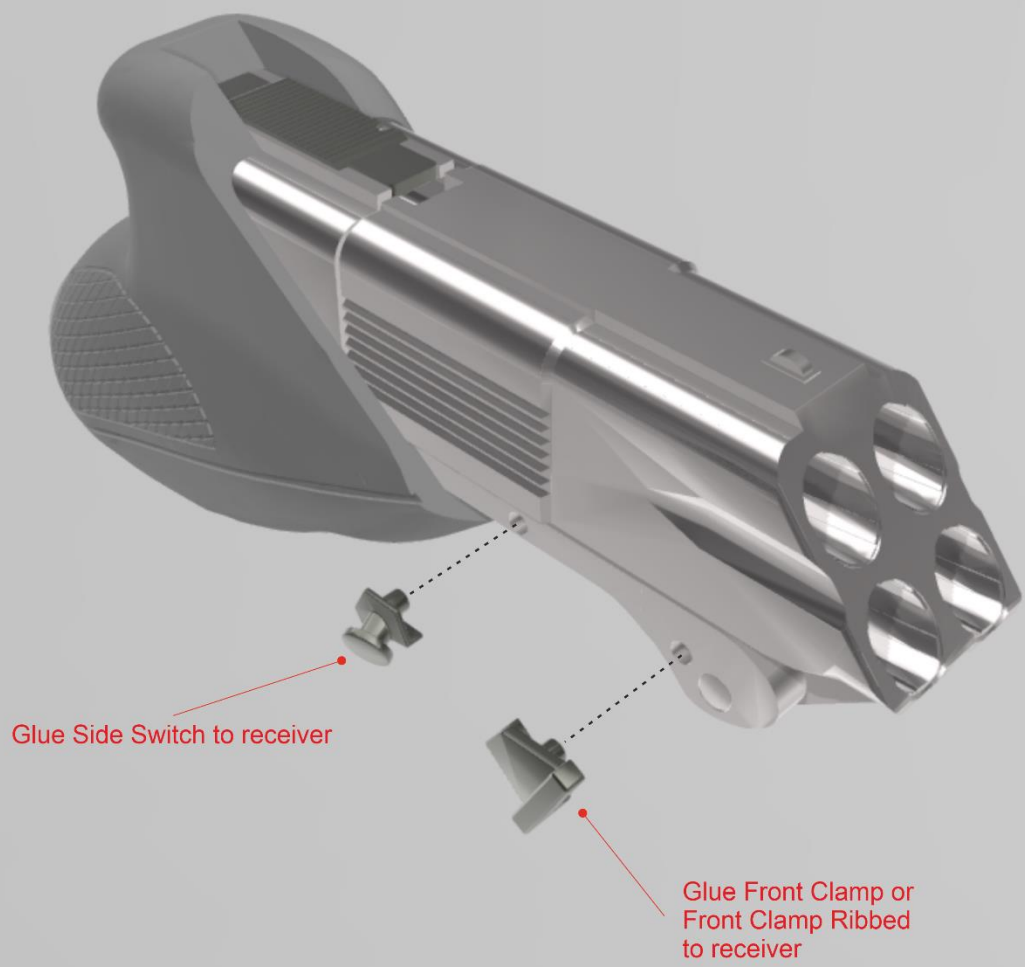
Duplex Designs

IMAGINE - DESIGN - BUILD

Hardware – Assembly

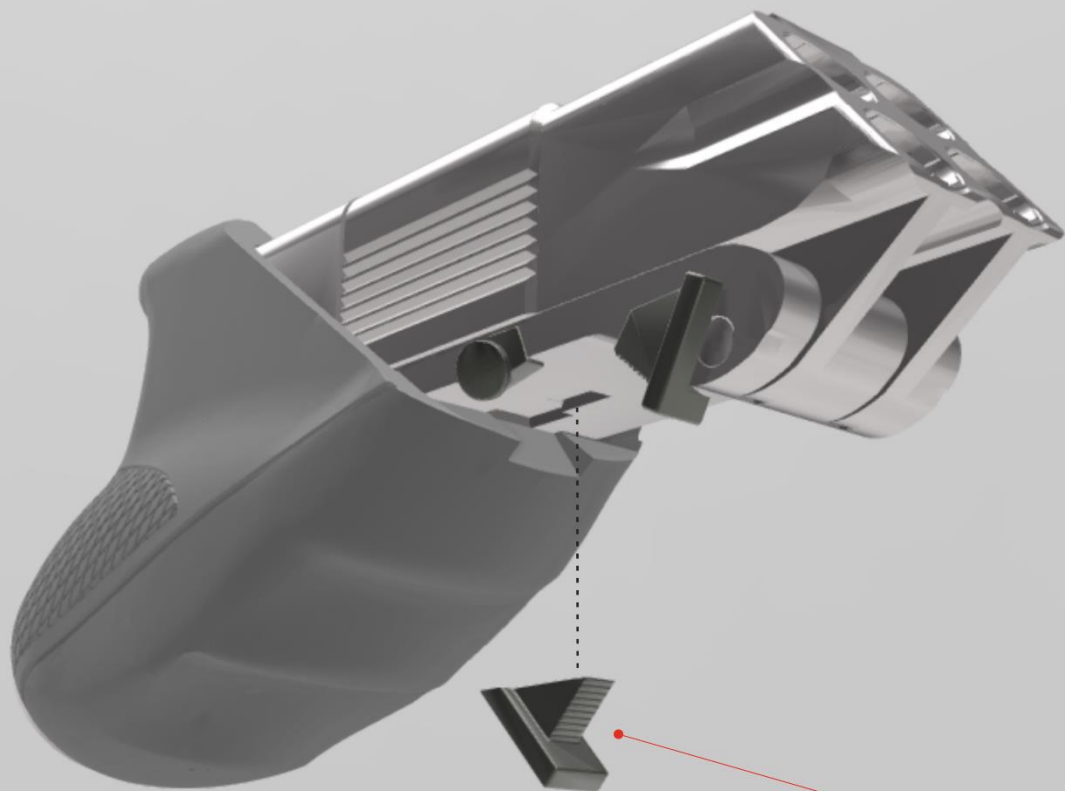




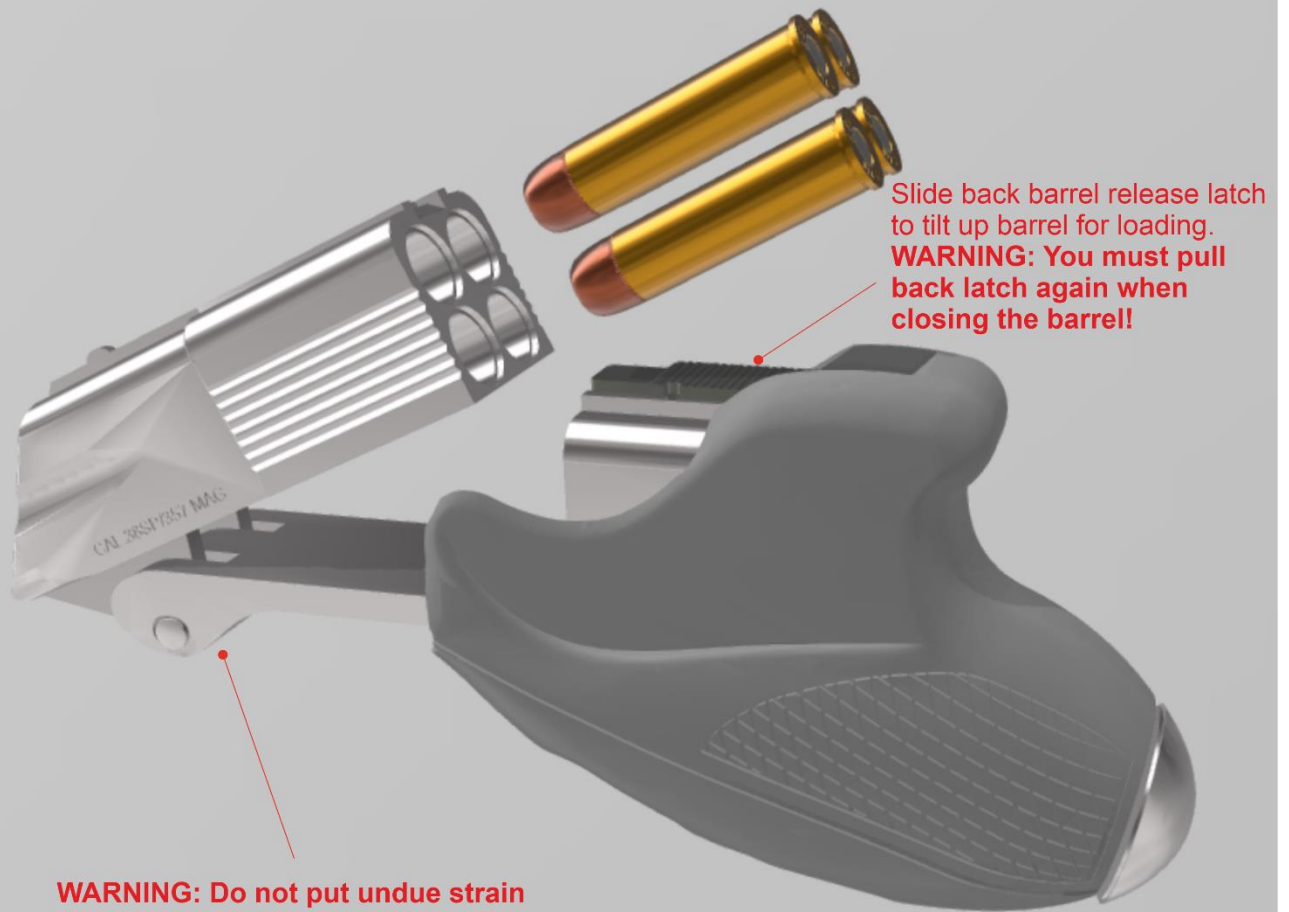


Glue Side Switch to receiver

Glue Front Clamp or
Front Clamp Ribbed
to receiver



Glue Trigger to receiver



Slide back barrel release latch to tilt up barrel for loading.
WARNING: You must pull back latch again when closing the barrel!

WARNING: Do not put undue strain on the hinge when tilting up barrel. Resin hinges can be brittle!



Duplex Designs

IMAGINE - DESIGN - BUILD

<https://duplexdesigns.co.uk>

support@duplexdesigns.co.uk

Issued: 18th June 2024

© 2024 Duplex Designs